



شرکت دانش بنیان کارن

KARENCONNECTOR.COM



کانکتورهای استوانه ای سری Y3

## Y3 series circular connectors



مشخصات :

- پایین ترین مقاومت تماسی
- مکانیزم قفل پوش پول ( straight push locking and releasing )
- امکان تولید بصورت آب بند شیشه

کاربرد : در اتصال الکتریکی بین تجهیزات الکتریکی

Y3 series circular connectors have the features of lower contact resistance, straight push locking and releasing, strong seal etc. The type of termination is flange and cable. The receptacle is ordinary seal and glass interred. They are widely used for the electrical connection between electrical equipment

## Product Ordering

Y3   - 21   Z   J   B   M  
 1        2        3        4        5        6

1. Name of series: Y3 series circular sealing connectors
2. Number of contacts: 19,21,31
- 3.T—Plug, Z—Receptacle
- 4.Type of contacts: J—Pin, K—Socket
- 5.Termination: L—Cable, B—Flange
6. Receptacle sealing:M—Ordinary sealing,HR—Glass sealing

## Technical characteristics

Temperature	Relative humidity	Atmosphere	Vibration	Shock	Endurance
-40° C~+85° C	(95~98) % at40±2° C	101.33KPa~6.67Pa	10~2000Hz, 147m/s <sup>2</sup>	686m/s <sup>2</sup>	300 cycles

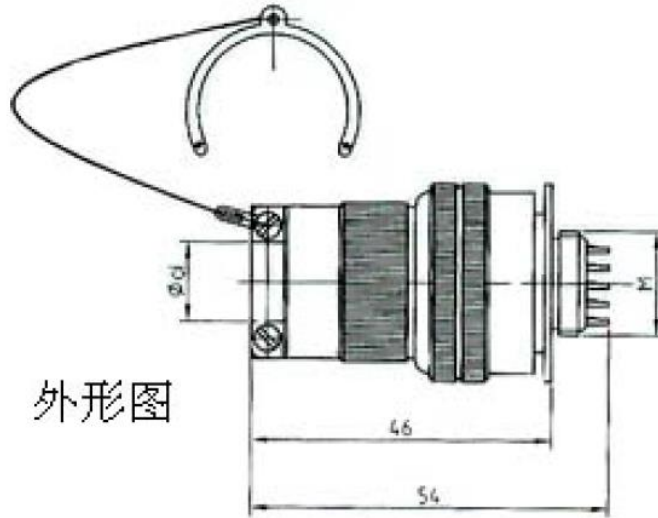
Contact Ø	Current	Voltage	Contact resistance
Ø0.8mm	3A	110V	≤15mΩ
Ø1mm	5A	110V	≤10mΩ

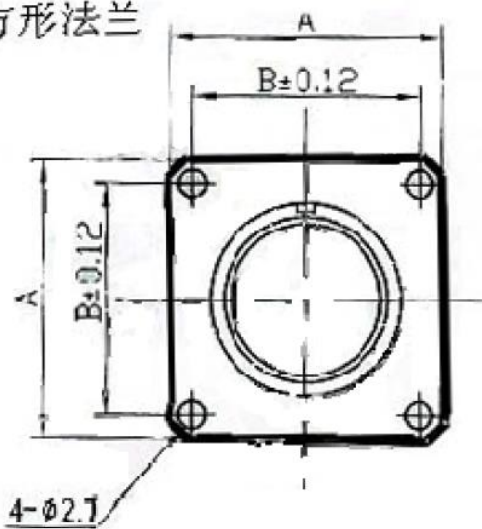
Environment	Voltage proof	Insulation resistance

Normal	500V	$\geq 500M\Omega$
High temperature	500V	$\geq 100M\Omega$
Moisture	500V	$\geq 20M\Omega$

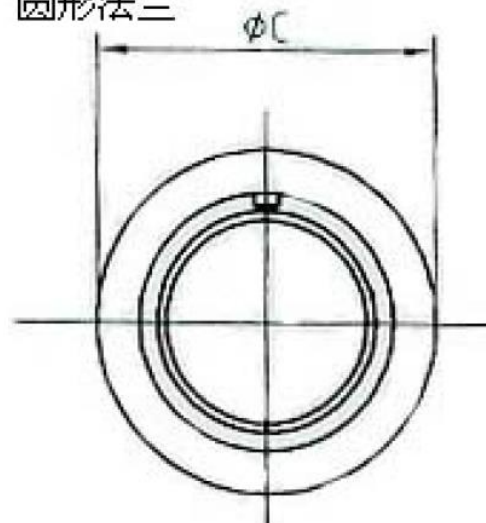
### Dimensions



#### 方形法兰



#### 圆形法兰



Type	A	B	$\phi C$	M	$\phi d$
Y3-19ZJLM(BM)	30	$24 \pm 0.12$	28	$20 \times 0.75$	13
Y3-21ZJLM(BM)	26	$20 \pm 0.12$	-	$16 \times 1$	10
Y3-31ZJLM(BM)	30	$24 \pm 0.12$	24.5	$20 \times 0.75$	13