



شرکت دانش بنیان کارن

KARENCONNECTOR.COM



کانکتورهای استوانه ای سری FQX

FQX series circular connectors



مشخصات :

- مقاومت تماسی کم
- ضد ارتعاش
- ضد شوک
- آب بند

کاربرد : در اتصال تجهیزات الکتریکی

Products introduction

FQX series circular connectors can be used in the water-proof place. We use the reliable cage clamp connection instead of the traditional wire spring. These connectors have the features of lower contact resistance, anti-libration, shock proof, water proof and strong seal etc. They are widely used for the electrical connection between electrical equipment. Meet CE, RoHS. Thread connect with the plug and receptacle.

Product Ordering

$$\frac{\text{FQX}}{1} \quad \frac{14}{2} \quad \frac{-7}{3} \quad \frac{T}{4} \quad \frac{K}{5} \quad \frac{-8}{6}$$

1. Name of series: FQX
2. Shell size : 14、18、24、30
3. Number of contacts: 1,2,3,4,5,6,7,9,10,12,13,16,19,26,32,42,55
4. T: Plug (TR: angled plug), Z: flange mounting receptacle, ZP: cable receptacle, Z2: Receptacle with O ring, ZY: circular receptacle, ZPY: circular cable receptacle
5. Type of contacts: K: socket, J: pin
6. Wire gauge: 5,6,7,8,9,10,12,14,16,18

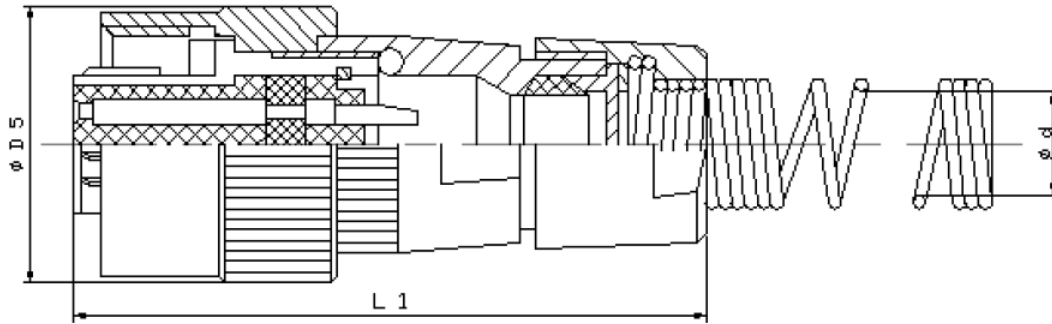
Technical characteristics

The connector is allowed to be submerged in 1m deep water for 60min. (Ip68)

Temperature	Relative humidity	Atmosphere	Vibration	Shock
-55° C ~ +85° C	(90~96)% at 40° C	4.4KPa	10~200Hz, 150m/s ²	490m/s ²
Current	Voltage	Contact resistance		Endurance
2A~5A	250V	≤10mΩ		500cycles
10A~25A	400V	≤5mΩ		500cycles

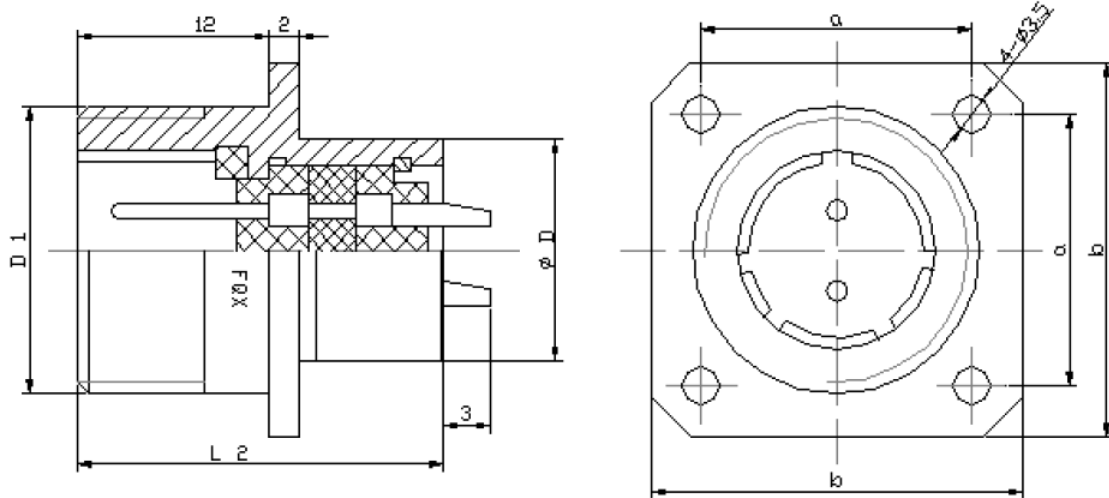
Environment	Voltage proof	Insulation resistance
Normal	1200V	≥1000MΩ
High temperature	1000V	≥500MΩ
Moisture	800V	≥100MΩ
Low pressure	400V	-

Product Dimensions (Plug, Flange mounting receptacle)

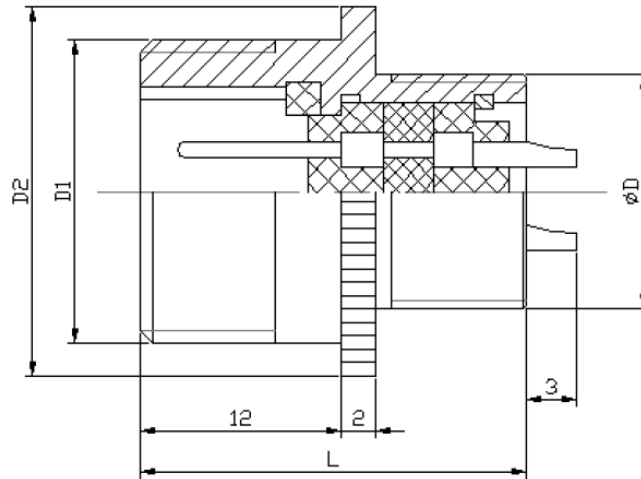


Type	D5	L1	Cable sleeve ϕd
FQX14	$\phi 21$	50	$\phi 5, 6, 7, 8, 9$
FQX18	$\phi 27$	55	$\phi 6, 7, 8, 9, 10, 12$
FQX24	$\phi 33$	60	$\phi 6, 10, 12, 14$
FQX30	$\phi 39$	65	$\phi 10, 12, 14, 16, 18$

Receptacle: FQX-Z

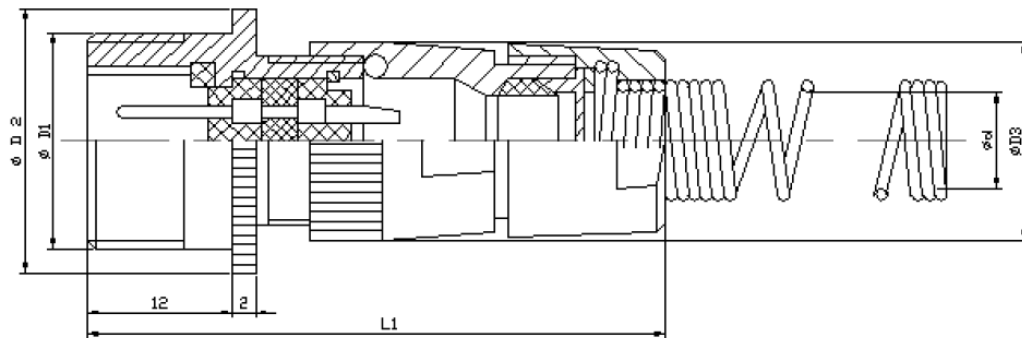


Type	a	b	D	D1	L2=L	D2
FQX14	$17_{+0.2}$	24	$\phi 14$	M18X1.5	23	$\phi 22$
FQX18	$20_{+0.2}$	27	$\phi 18$	M22X1.5	23.5	$\phi 25$
FQX24	$26_{+0.2}$	33	$\phi 24$	M28X1.5		$\phi 33$
FQX30	$31_{+0.1}$	38	$\phi 30$	M34X1.5		$\phi 39$



FQX-ZY:

Cable receptacle: FQX-ZPY



Type	ø D1	ø D2	ø D3	L1	Cable sleeve ø d
FQX14	M18X1.5	22	16.5	50	5, 6, 7, 8, 9
FQX18	M22X1.5	25	22.5	55	6, 7, 8, 9, 10, 12
FQX24	M28X1.5	33	29	60	6, 10, 12, 14
FQX30	M34X1.5	39	35	65	10, 12, 14, 16, 18

Contacts number

Type	Number	Contact ø & Current	Type	Number	Contact ø & Current
FQX14	2,3	1.5, 10A/400V	FQX24	1	1.5, 10A/3000V
	4	1.5, 10A/250V		4,6	2.5, 25A/400V
	5,6,7	1.0, 3A/250V		10	1.5, 10A/400V
	9,10	0.8, 2A/110V		19	1.0, 3A/250V
	13	0.7, 1A/110V		26	1.0, 3A/110V
	1	1.5, 10A/2000V		9,10	2.5, 25A/400V

FQX18	3, 4	1.5, 10A/400V	FQX30	16	2 , 18A/400V
	5,6,7	1.5, 10A/250V		32,42	1.0 ,3A/250V
	12	1.0 ,3A/250V		55	1.0 ,2A/110V